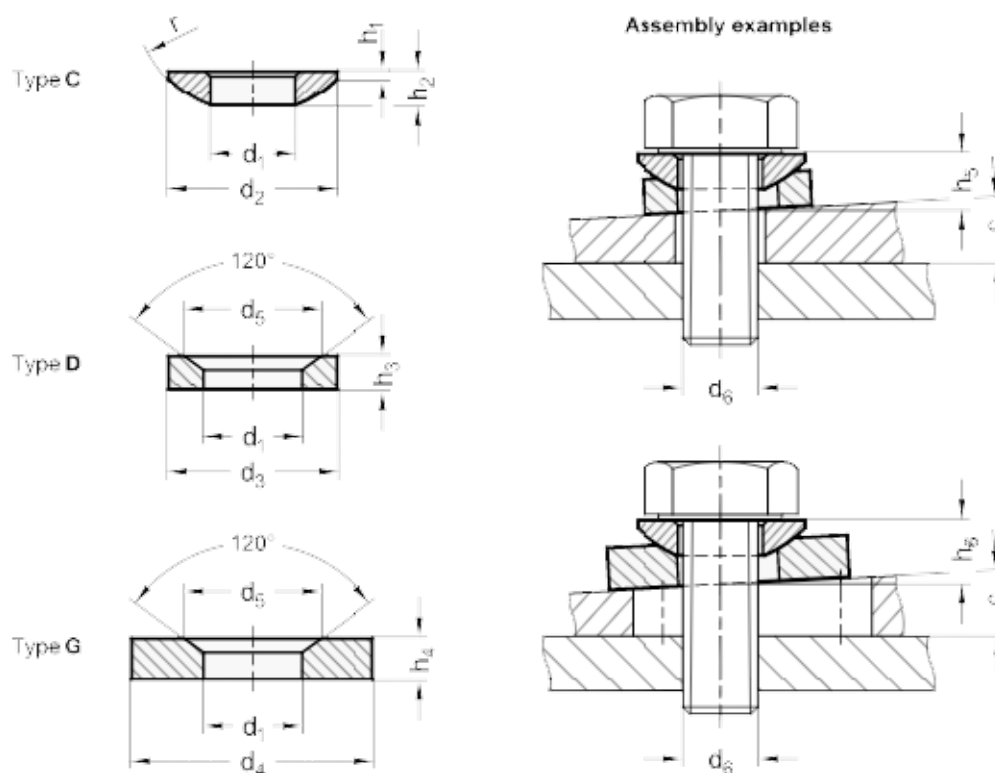


Article number: 20806007

Description: E+G Spherical washer, female
DIN 6319-9,6-D

Measures



$d_2 = 9.6$
 $d_4 = 17$
 $d_5 = 14.5$
 $d_6 = M8$
 $H_3 = 3.5$
 $H_4 = 5.6$